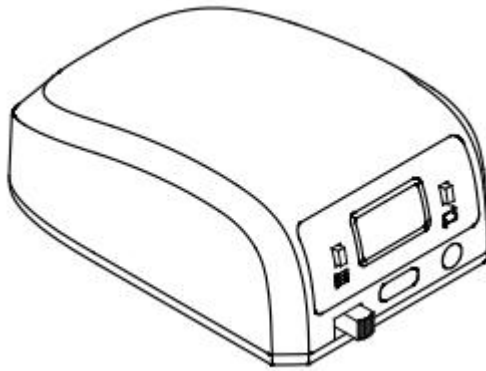
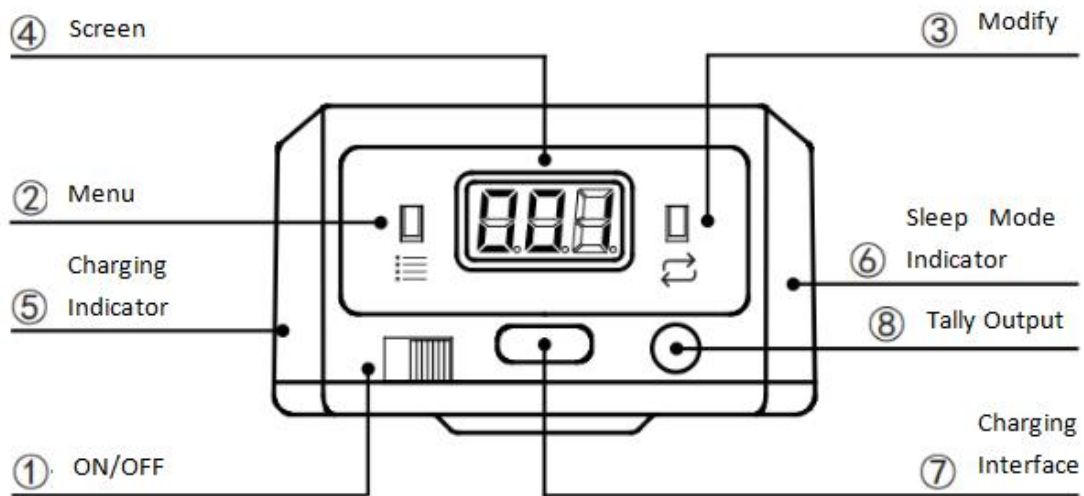


# NAVYA



## Users' Manual

## Function



### ① ON/OFF

Turn or turn off the tally light. “ON” indicates turn on the tally light, and “OFF” indicates turn off the tally light.

### ② Menu

Push the “Menu” button to enter a menu setting. Push again to switch to the next menu setting. The menu setting includes lightness setting, ID setting, channel setting, etc.

## Function

### ③ Modify

In standby mode, push the “Modify” button to display power status. In menu setting mode, push “Modify” button to set present menu data.

### ④ Screen

Display the tally light ID, power status and setting information. The display contents are listed below.

(1) The tally light ID. The screen will always display the tally light ID under the work conditions.

(2) The power status. There are 5 degrees of power status. 01 indicates the lowest power and 05 indicates the highest power. The screen will display power status instead of display the tally light ID with low power.

(3) Brightness degree setting. There are 10 brightness degrees from 01 to 10. 10 indicates the maximum brightness.

(4) Tally light ID setting. There are 32 IDs from 01 to 32.

(5) Channel setting. There are 89 channels from 02 to 90.

## Function

### ⑤ Charging Indicator

The charging indicator includes 4 blue lights. When the tally light is under charging, the blue lights will flicker in sequence. All the 4 blue lights will be lit up once get fully charged.

### ⑥ Sleep Mode Indicator

The sleep mode indicator is a blue light. Turn on the tally light, it will enter sleep mode if unable to detect the base station signal. In sleep mode, the screen will be closed and the sleep mode indicator will be lit up. It will exit sleep mode once detecting the base station signal. The screen will display the tally light ID, and the sleep mode indicator will be turned off under work condition.

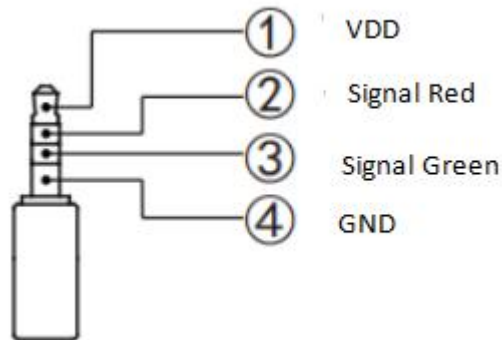
### ⑦ Charging Interface

Please charge the tally light with standard charger. The voltage and current is 5V/500mA.

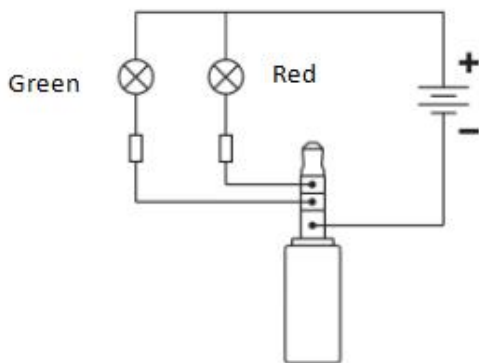
## Function

### ⑧ TALLY Signal Output

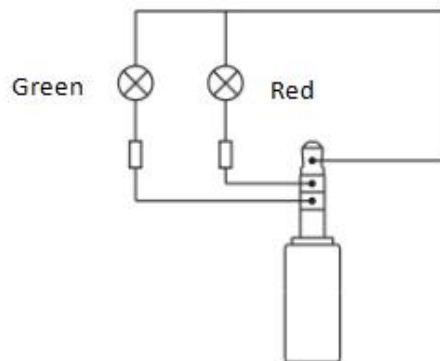
Tally signal output interface is 3.5mm socket, which is compatible with various monitor screen tally interface. Please contact factory for the output connection cable. The specifications of 3.5mm socket are listed below.



The connection types include external power supply and internal power supply. The specifications are listed below.



Map 1



Map 2

Map 1 External power supply sketch map (Voltage  $\leq 24V$  and current  $\leq 50mA$ )

Map 2 Internal power supply sketch map (Voltage  $3.5V-4.2V$  and current  $\leq 50mA$ )

Please read the users' manual carefully before operation

Welcome to visit our website [www.nayatec.com](http://www.nayatec.com)

Manufacturer: Shanghai Naya Intelligence Technology Co., Ltd.

Address: 7001 Zhongchun Rd. Minhang District, Shanghai, China.

## Setting

### ① Brightness Setting

In standby mode, push the “Menu” button only once to enter brightness setting menu. The flickering number indicates brightness degree. Push the “Modify” button to adjust brightness grade. Just wait for 5 seconds or push the “Menu” button 3 times to save and exit setting. There are 10 brightness grades from 01 to 10.

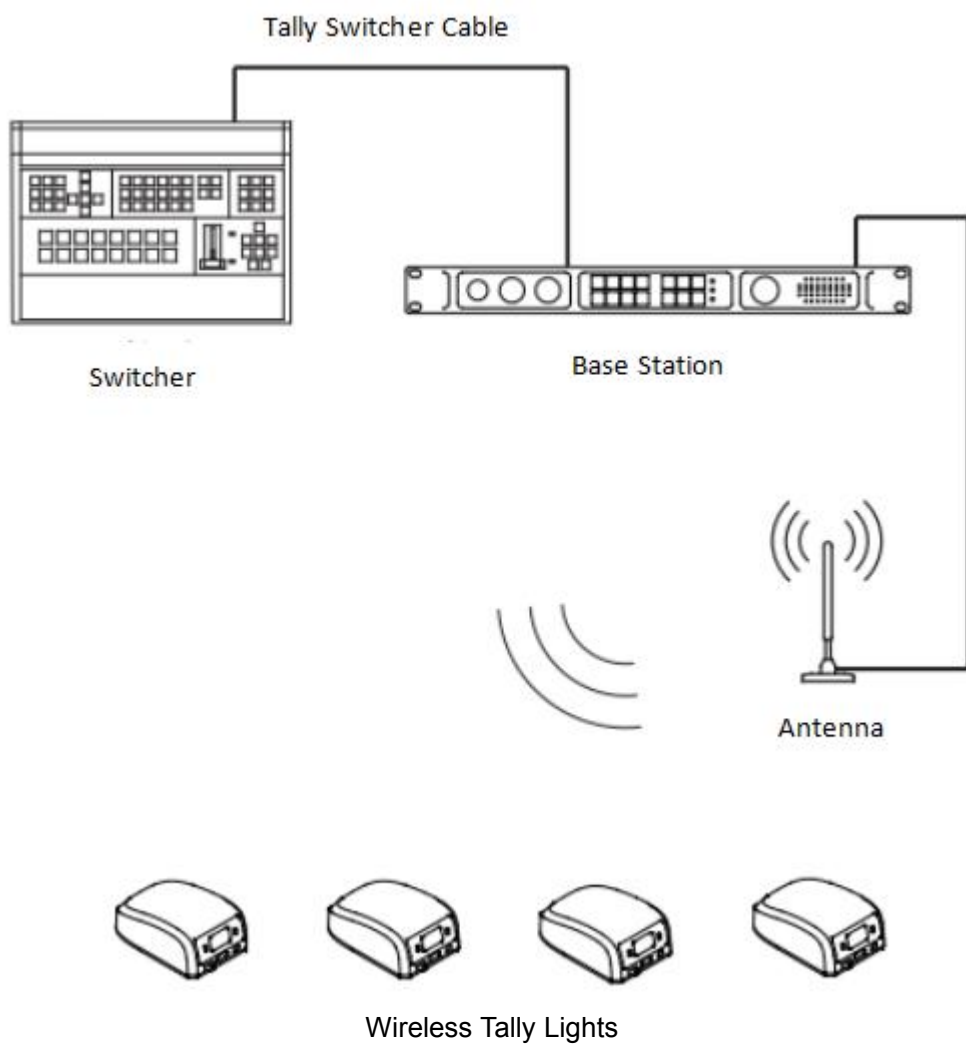
### ② Tally light ID Setting

In standby mode, push the “Menu” button twice to enter tally light ID setting menu. The flickering number indicates tally light ID. Push the “Modify” button to change tally light ID. Just wait for 5 seconds or push the “Menu” button twice to save and exit setting. There are 32 tally light IDs from 01 to 32.

### ③ Channel Setting

In standby mode, push the “Menu” button 3 times to enter channel setting menu. The flickering number indicates channel. Push the “Modify” button to change tally light ID. Just wait for 5 seconds or push the “Menu” button only once to save and exit setting. There are 89 channels from 02 to 90.

# Connection





## Maintenance and Cleaning

Please read the following contents carefully in order for smoothly operation, long service life, better daily maintenance and cleaning.

### Maintenance

- Do not use hard material to puncture or scrape device.
- Do not put device in hard corrosive environment that may damage circuits.

### Cleaning

- Please wipe the dust on the device with clean dry towel or brush.
- If the device is dirty, please clean with neutral detergent and non-woven fabric, do not use detergent, alcohol, spray and other chemical agents to avoid the damage of the device. Make sure that the device is dry thoroughly before using.

## Quality Commitment and Maintenance Terms

We promises warranty services for material and manufacturing process defect under normal operation since purchase date.

### 1. Warranty Scope and Duration

12 months

### 2. Warranty Claim

You have to provide product warranty card or valid purchase invoice to apply repair. The product mark should be kept clean and intact during the warranty period.

## Warranty Card

In order to protect your benefits, please fill in the following table carefully and keep it properly as a evidence for maintenance.

Dealer's information			
Product model		Date of sale	
Dealer's name		Contact number	
User's information			
User's name		Contact number	
Address		E-mail	

NAYA



Shanghai Naya Intelligence Technology Co., Ltd

[www.nayatec.com](http://www.nayatec.com)